

Hydrostatic Pressure Type Level Transmitter

(Local Indicating)

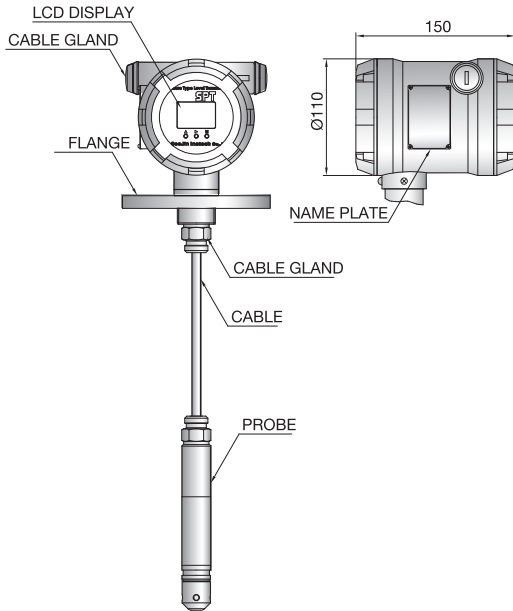
Model : SPT



SPT

Hydrostatic Pressure Type Level Transmitter

Structure



Introduction

SPT series micro-processor based digital level pressure transmitter is an ideal for applications that require for continuous level measurement of liquids and pastes in chemical, pharmaceutical and foodstuffs industries as well as in water and waste water treatment.

Features

- Micro-processor based digital level measurement
- Measuring ranges from 0.1 to 35bar
- Current output 4~20mA, 2-wire system
- Low cost
- Excellent accuracy and long term stability
- Enclosure IP68 of wetted part
- 5 digit LCD with backlight
- Convertible dual display unit
- Range turn down max. 50% of calibrated span
- Poly-urethane extension cable built-in vent tube

Operating Principle

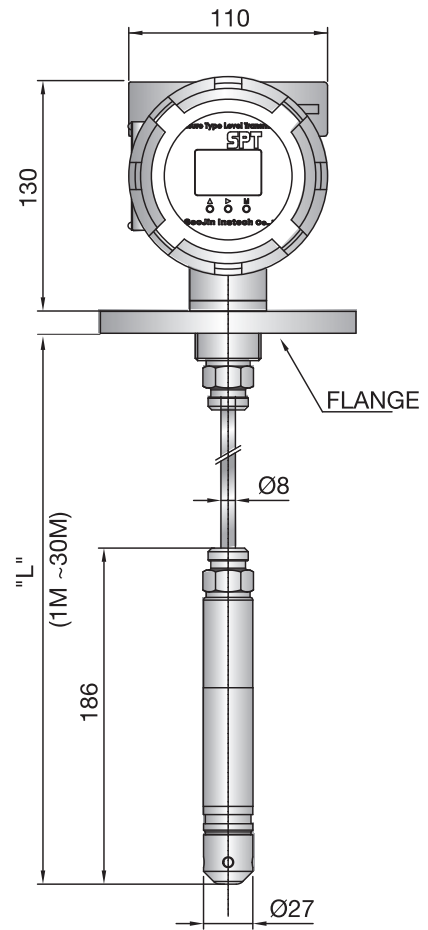
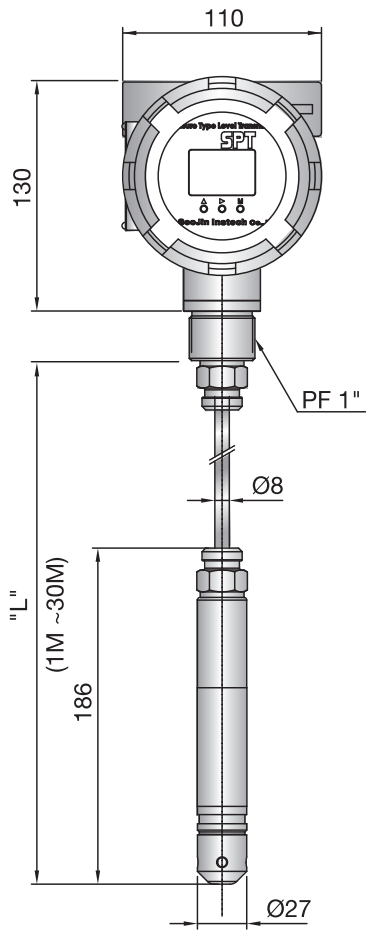
The sensing part of SPT should be located at the bottom of the tanks, because the depth or level can be generated by pressure of measuring liquids. The sensing element is a piezo-resistive pressure sensor. The pressure (liquid level) to be measured acts through thin corrosion resistant stainless steel 316LSS diaphragm on a silicon measuring element. The pressure transmitting medium is silicon oil. The measuring element contains diffused piezo-resistive resistors which are connected into a Wheatstone bridge. The output signal of this bridge is temperature compensated and converted into a standardized current output signal.

Specifications

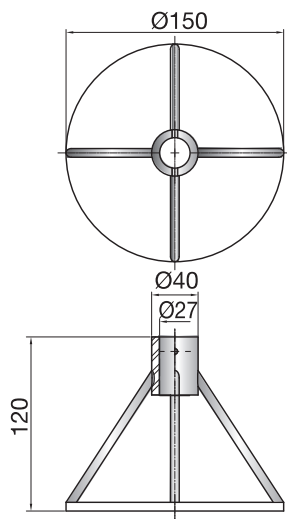
| DESCRIPTION | Type | Top Mount |
|-----------------|---------|--|
| Application | | Liquid |
| Power Supply | | Nominal 24V DC |
| Output Signal | | 4~20mA / 2-wire (Std.) 4~20mA / 4-wire (2xSPDT Relay Output/OP) |
| Delay Time | | 1 ~ 9.9sec |
| Power & Load | | 12.6 ~ 36V DC (No load) Load[KΩ]=(Vin[V] - 12.6 [V])/22.6[mA] |
| Accuracy | | Linearity 0.2% FS Hysteresis & repeatability 0.2% FS Linearity 0.2% FS |
| Display | | SPT : 5 Digit LCD, SPL : No Display |
| Temp. Effects | | 0~50°C (Compensated Temp. Range) |
| Measuring Range | 0 ~ 30m | 0.1 ~ 30 bar |
| Ambient Temp. | | 0 ~ +60°C Max. |
| Operating Temp. | | -20 ~ +70°C Max. |
| Material | Body | ADC (IP 65) |
| | Probe | 316LSS |

Overall Dimensions

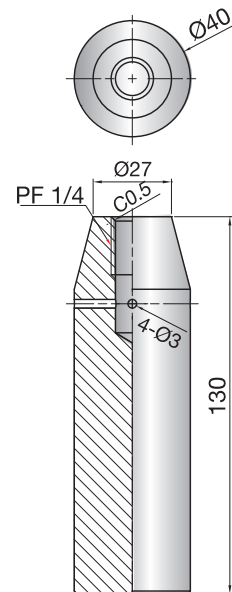
Top Mount



Sinker (Std)

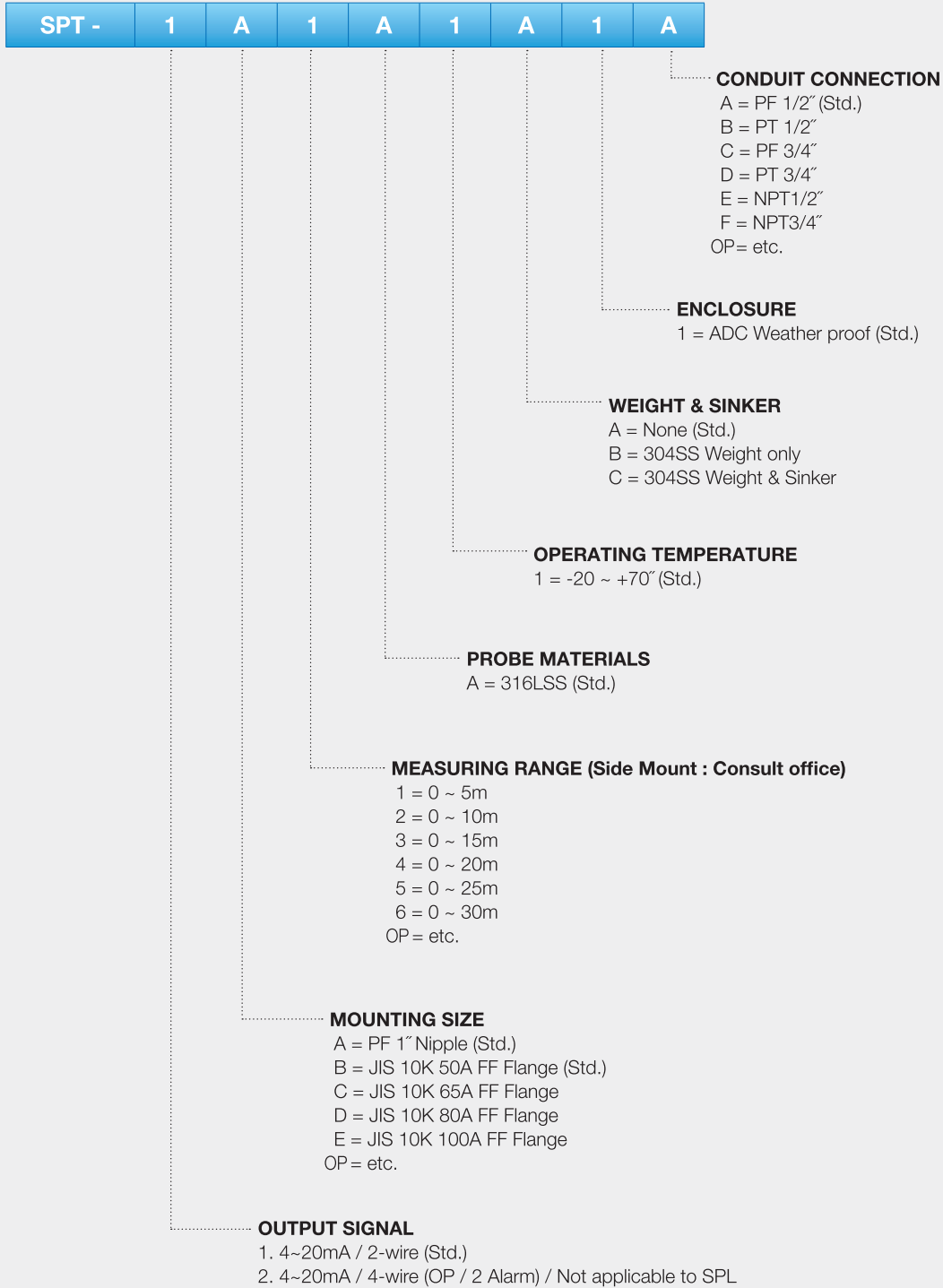


Weight (Std)



Ordering Information

■ Hydrostatic Pressure Type Level Transmitter (Local Indicating)



■ When placing an order, selected ordering number should be indicated on the purchase order sheet.



14, Dunchon-daero 457beon-gil, Jungwon-gu
 Seongnam-si, Gyeonggi-do, Korea[Zip.13218]

+82-31-627-9000 +82-31-624-5345

<http://www.seojin.biz>

2019 Edition Rev.0 (printed by Daumi)

■ Specifications subject to change without notice